

Round Illuminated Pushbutton



Electrical Specifications

Voltage Rating	DC12V (Max DC16V)
Current Rating	Min: 10mA (Resistor) Max: 6W/12V (Lamp)
Voltage Drop	By the rated load: 0.15V Max(before test) 0.25V Max(after test)
Insuration Resistance	More than 1MΩ (Measured by 500V)
Chattering	60ms Max



Environment

Operating Temperature Range	-10 ~ +65°C
Storage Temperature Range	-30 ~ +85°C

Features

- Push switch with LED Illumination
- Surface design or illumination are visible regardless of day time/night time.
- Lens color, Symbol mark can be customized.
- Both Momentary and Alternate switch are available.

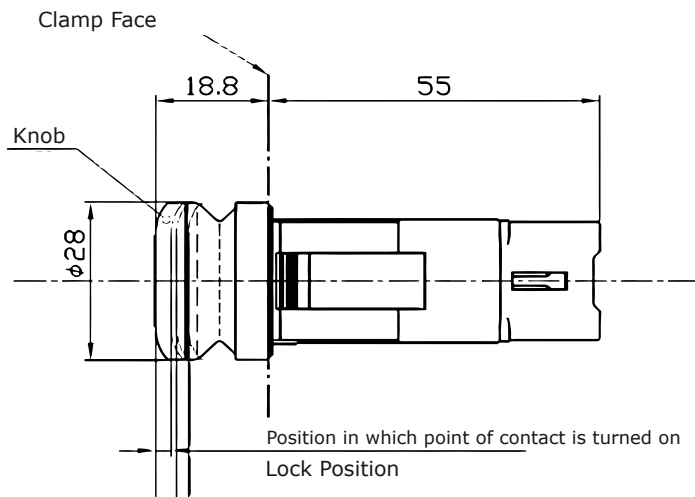
Mechanical Specifications

Part Number	N23380-00-00	M23700-00-00	N23850-00-00	N23860-00-00	P2333D-00-00	P2334D-00-00
Illumination Color	Amber		Red		Green	
Type	Alternate	Momentary	Alternate	Momentary	Alternate	Momentary
Push Stroke	Outline dimension is described					
Operating Physical Force	9.8 ± 3.9N					
Waterproof Type	Panel waterproof (JIS D0203 S2)					

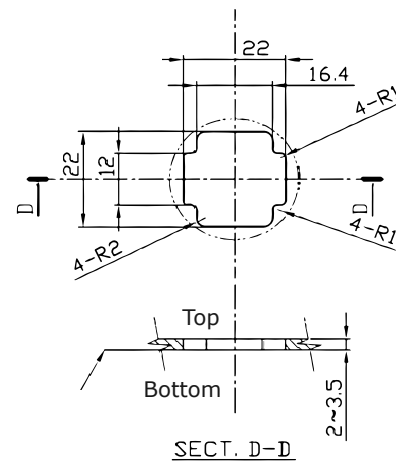
Dimensions

[Millimeters]

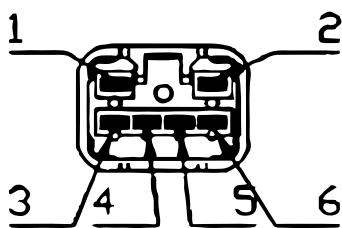
Outline Dimension



Mounting Cut Outs
(Recommended Switch Spacing)



Circuit Diagram



SW Connector
6240-1120
(Mating: 6240-5160)

